



WoodBeQuiet Tile

FilaSorb™ 12

acoufelt
making quiet

Product Detail

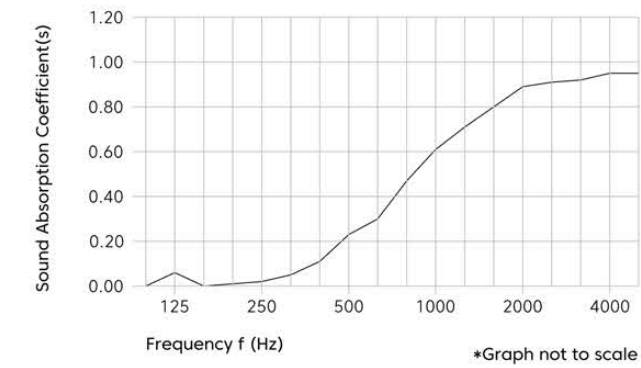
Product	WoodBeQuiet Tile
Surface	Wall
Surface Print	QuietPrint™
Composition	100% Polyester
Material	FilaSorb™
Recycled Content	60% min.
Thickness	12mm 0.47" +/- 10%
Weight	0.49 lb/ft ² +/- 10%
Dimension	39.37"W x 7.87"H
	Custom size available upon request

Technical Data

Fire Test Method Number	AS ISO 9705:2003 Group 1 ASTM E84-17a Class A
Indoor Air Quality	Low VOCs emission, formaldehyde and Phenol-free
Light Fastness	ISO 105-B02 1994, 6-7

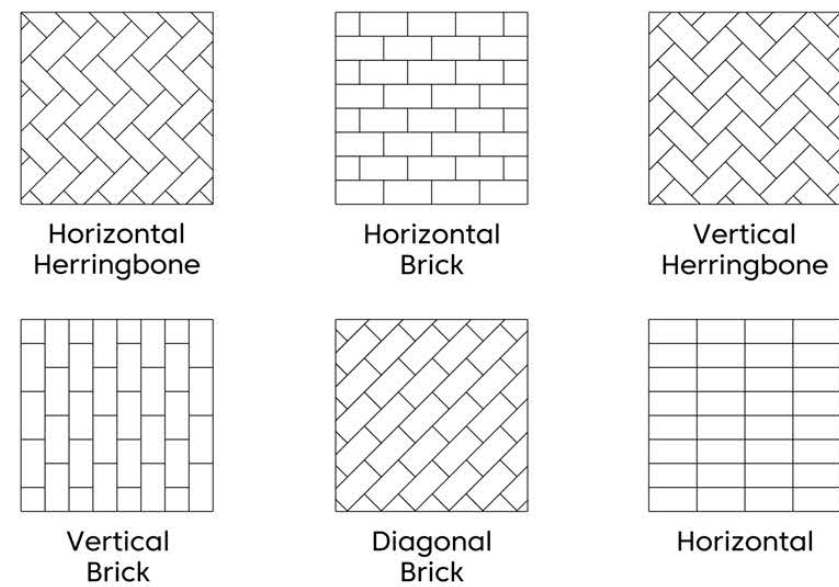
Acoustic Performance

Sound Absorption ISO 354-2006 NRC 0.45



Frequency f(Hz)	125	250	500	1000	2000	4000	NRC
12mm α _s	0.06	0.02	0.23	0.61	0.89	0.95	0.45

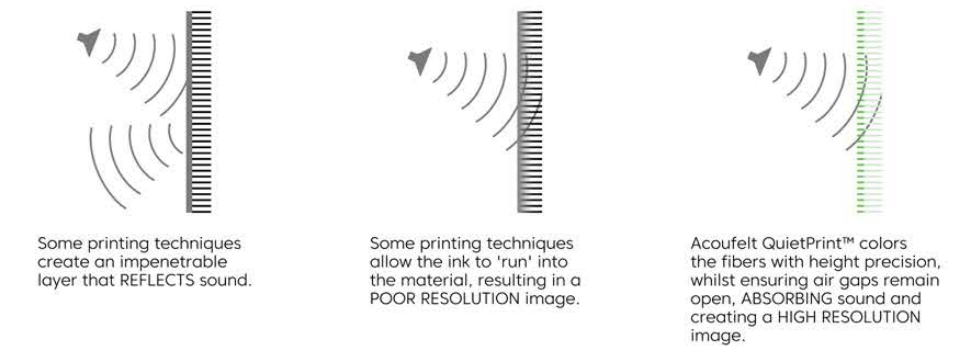
Installation Methods



Guarantees

Lead Time	Ships in 4-6 weeks
Light Fastness Warranty	10 Years*
Customizable	Yes

* conditions apply



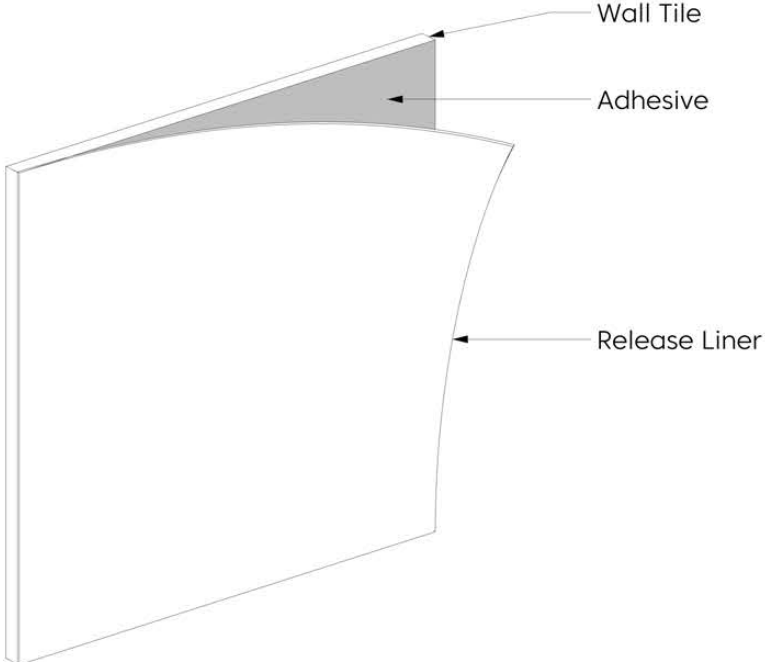
Environmental Attributes

- Declare Certification
- LCB Red List Free
- Phenol And Formaldehyde Free
- Low VOC
- CDPH Compliance
- Aligns With Building Standards

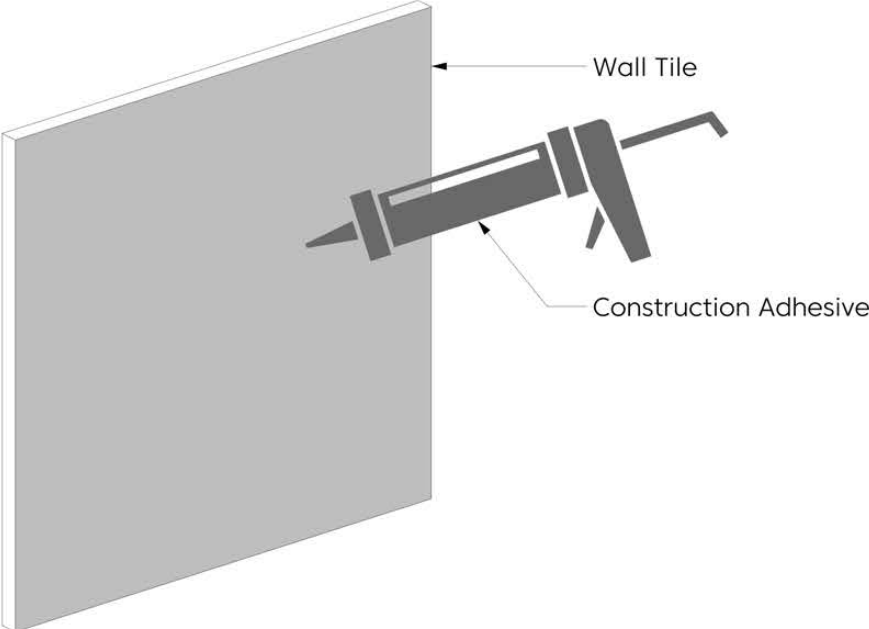


Mounting Methods

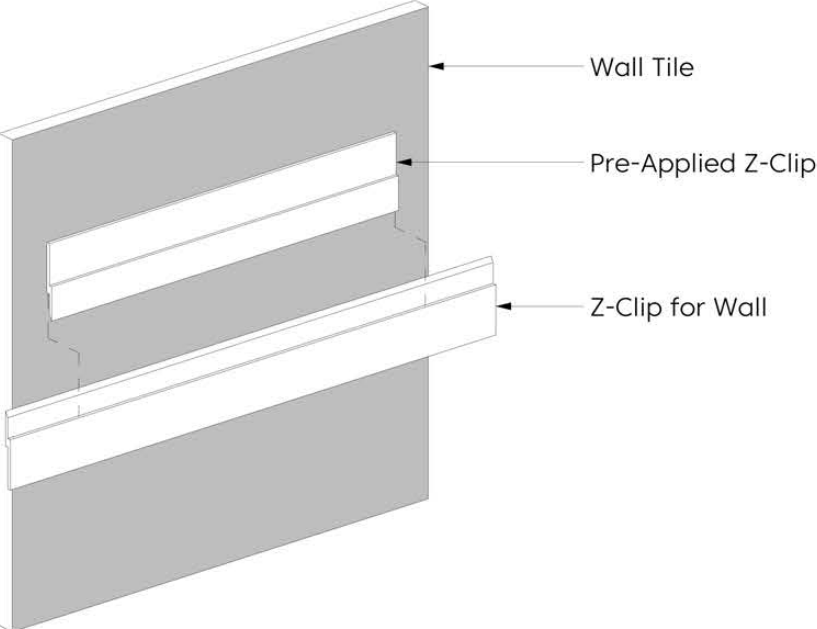
Adhesive Backing



Construction Adhesive



Z-Clip Mount



Colorways



Picket Fence
WQ01



Boat Shed
WQ02



Wine Barrel
WQ03



Log Cabin
WQ04



Barn Door
WQ05