



SoftenUp Ceiling System

FilaSorb™ 12

acoufelt
making quiet

Product Detail

Product	SoftenUp Ceiling System	
Surface	Ceiling	
Composition	100% Polyester	
Material	FilaSorb™	
Recycled Content	60% min.	
Weight	0.49 lb/ft ² +/- 10%	
Slat Profile Dimension	Width	Depth
	2" or 4"	1" or 3"
Backer Dimension	24"W x 24"L x 0.5"D	
	24"W x 48"L x 0.5"D	
	24"W x 96"L x 0.5"D	
	Custom size available upon request	
Compatible T Grid Layout	Standard 24" x 24" Grid	

Technical Data

Fire Test Method Number	AS ISO 9705:2003 Group 1 ASTM E84-17a Class A
Indoor Air Quality	Low VOCs emission, formaldehyde and Phenol-free
Light Fastness	ISO 105-B02 1994, 6-7

Acoustic Performance

Product acoustic performance testing is in progress.

Guarantees

Lead Time	Ships in 4-6 weeks
Light Fastness Warranty	10 Years*
Customizable	Yes

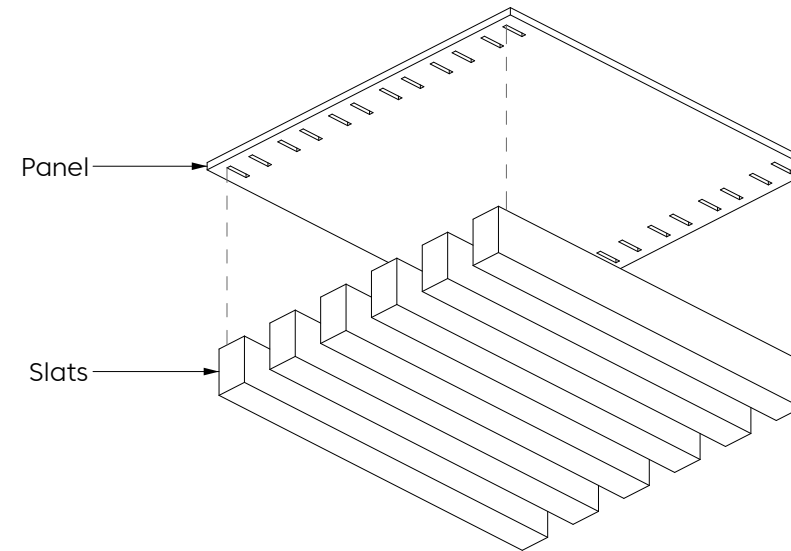
* conditions apply

Environmental Attributes

- Declare Certification
- LCB Red List Free
- Phenol And Formaldehyde Free
- Low VOC
- CDPH Compliance
- Aligns With Building Standards



Specifying Process



* Ships assembled

Choose Your Option (See following pages for details.)

Slat Profile			Panel Size (Nom.)			T Grid Type (By Others)			Color		
	2"W x 1"D			24" x 24"			15/16" Flat			Slat	
	4"W x 1"D			24" x 48"			9/16" Flat			Panel	
	2"W x 3"D			24" x 96"			9/16" Bolt Slot				
	4"W x 3"D										

Slat Profile & Panel Size

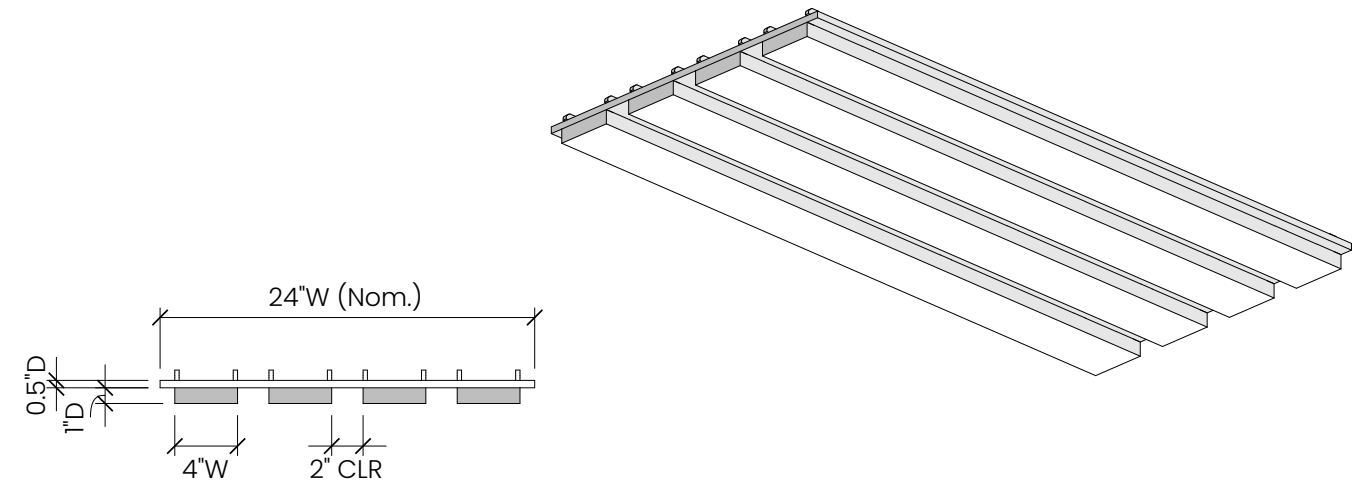
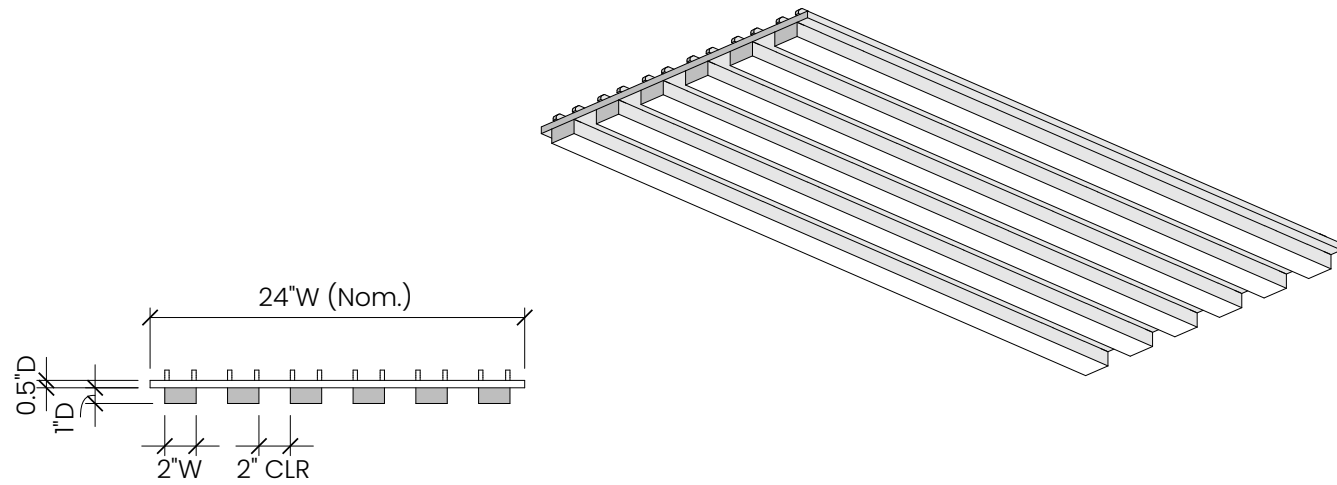
Slat Profile & Panel Size

T Grid Type (By Others)

Color

Linear Narrow Plank 2"W x 1"D Slat Profile

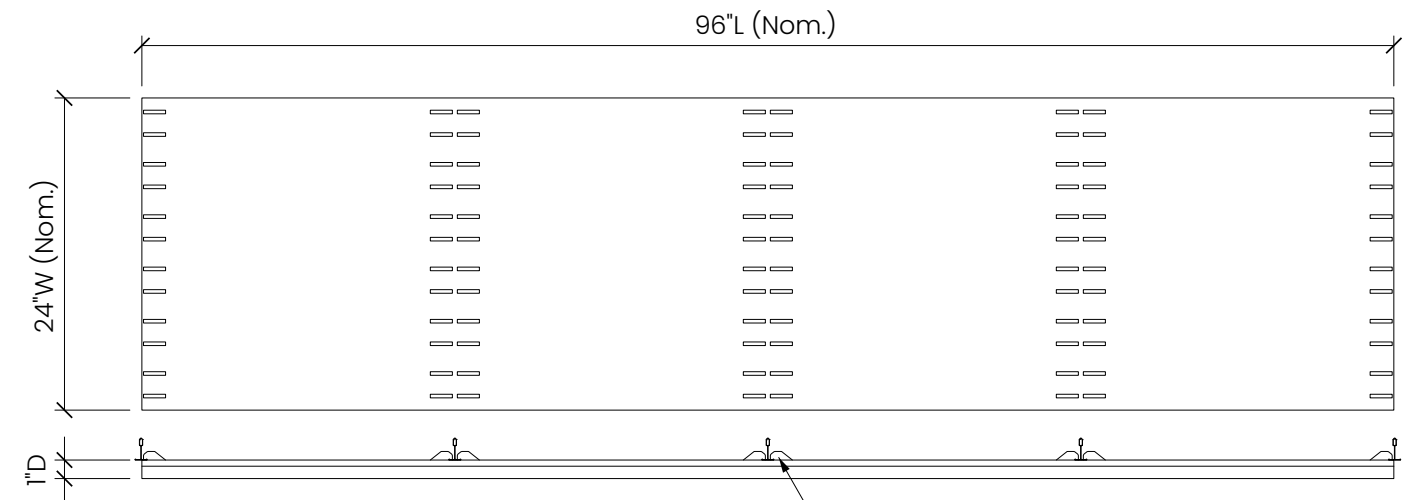
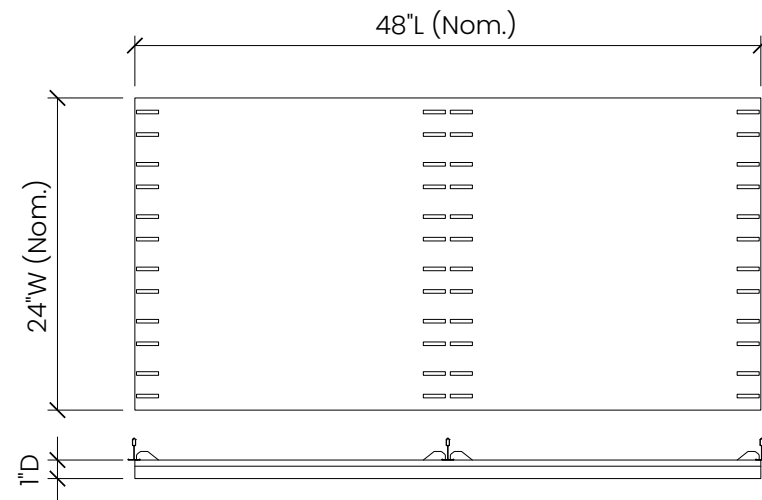
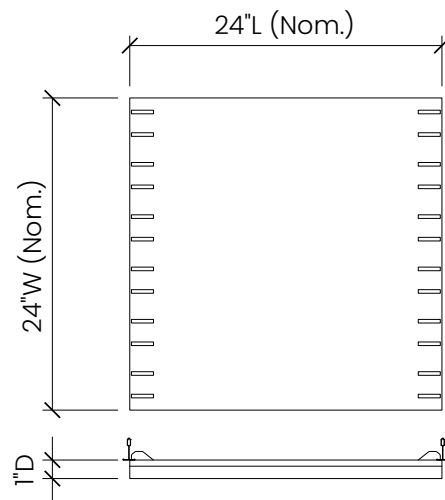
Linear Wide Plank 4"W x 1"D Slat Profile



24"W x 24"L (Nom.) Panel

24"W x 48"L (Nom.) Panel

24"W x 96"L (Nom.) Panel



TYP. Connection Tabs

Slat Profile & Panel Size

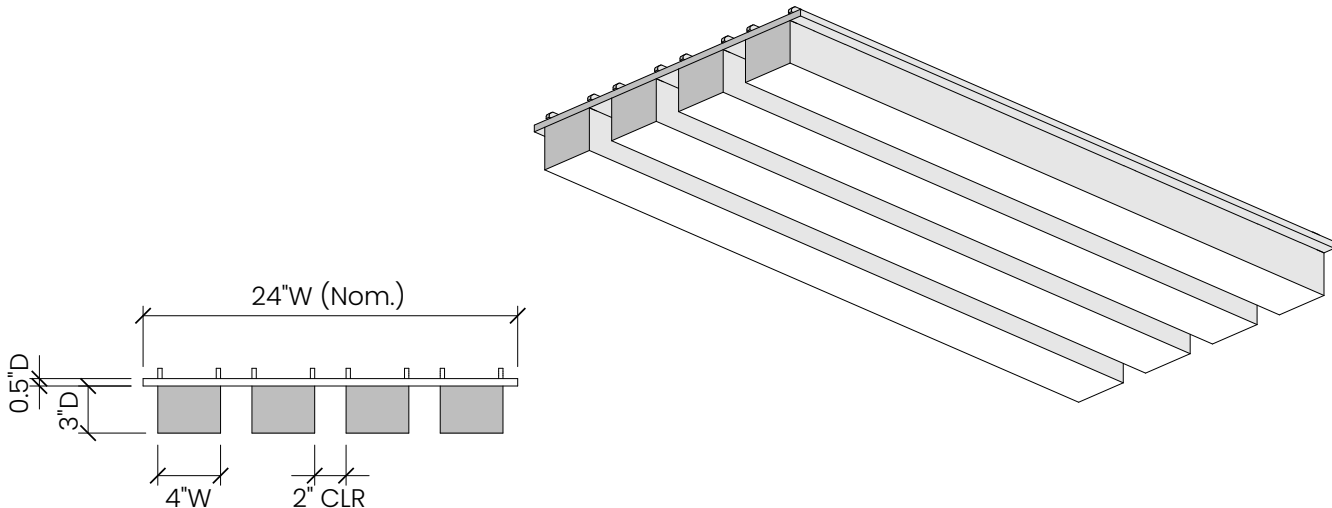
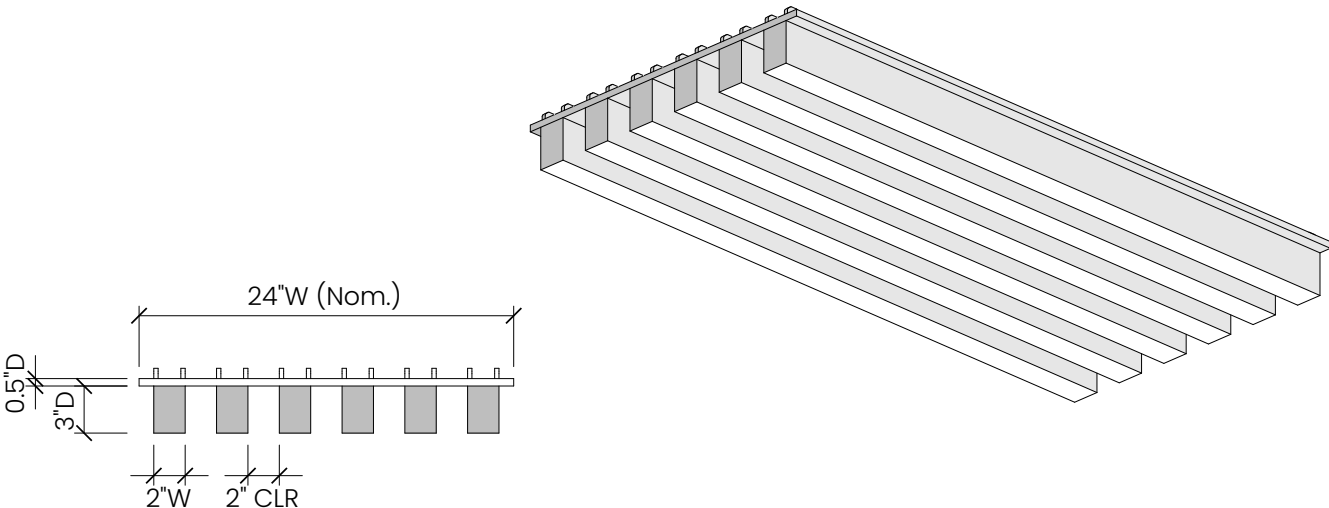
Slat Profile & Panel Size

T Grid Type (By Others)

Color

Linear Narrow Plank 2"W x 3"D Slat Profile

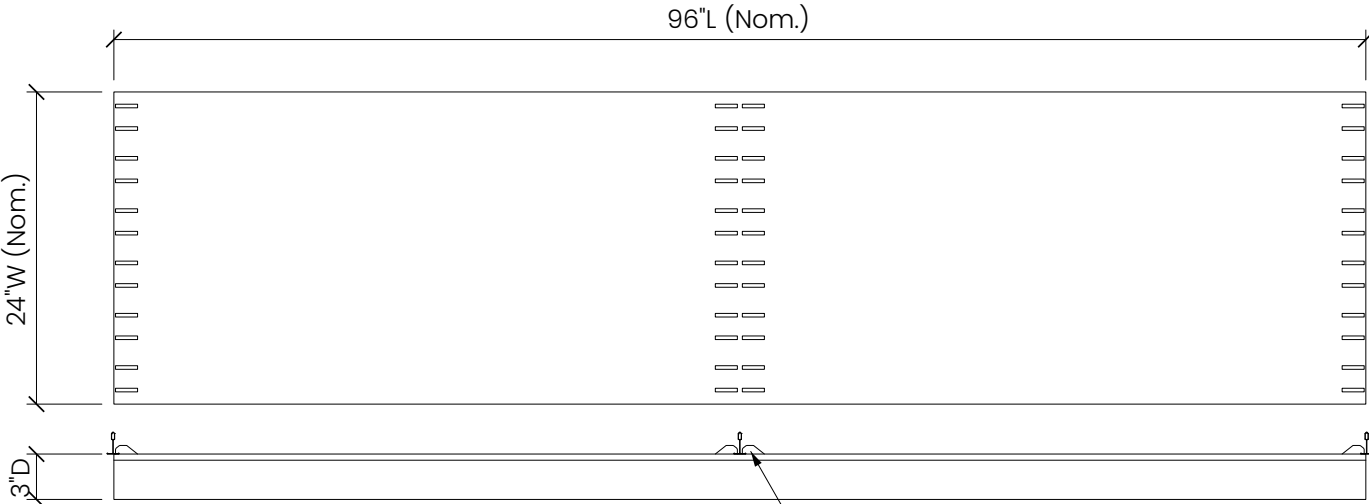
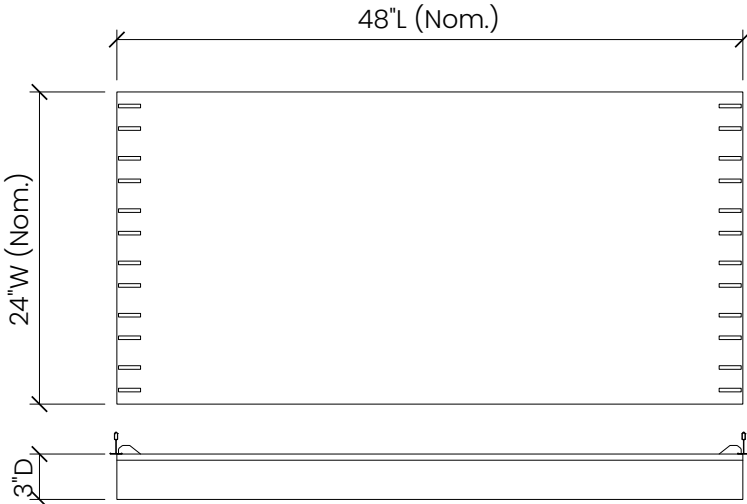
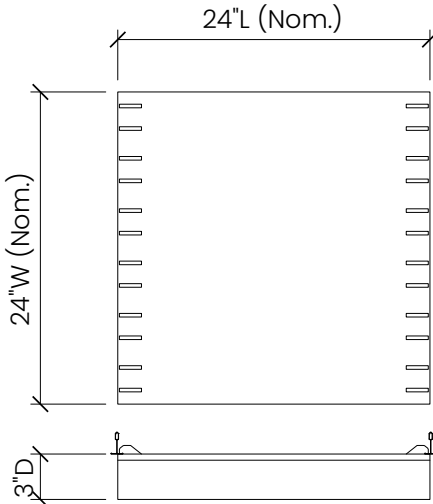
Linear Wide Plank 4"W x 3"D Slat Profile



24"W x 24"L (Nom.) Panel

24"W x 48"L (Nom.) Panel

24"W x 96"L (Nom.) Panel



Installation

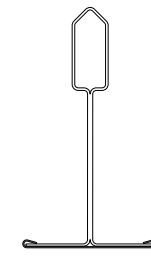
Slat Profile & Panel Size

T Grid Type (By Others)

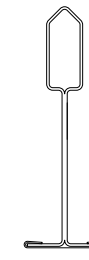
Color

Axon

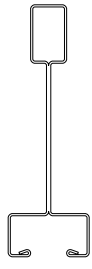
Compatible T Grid Type (By Others)



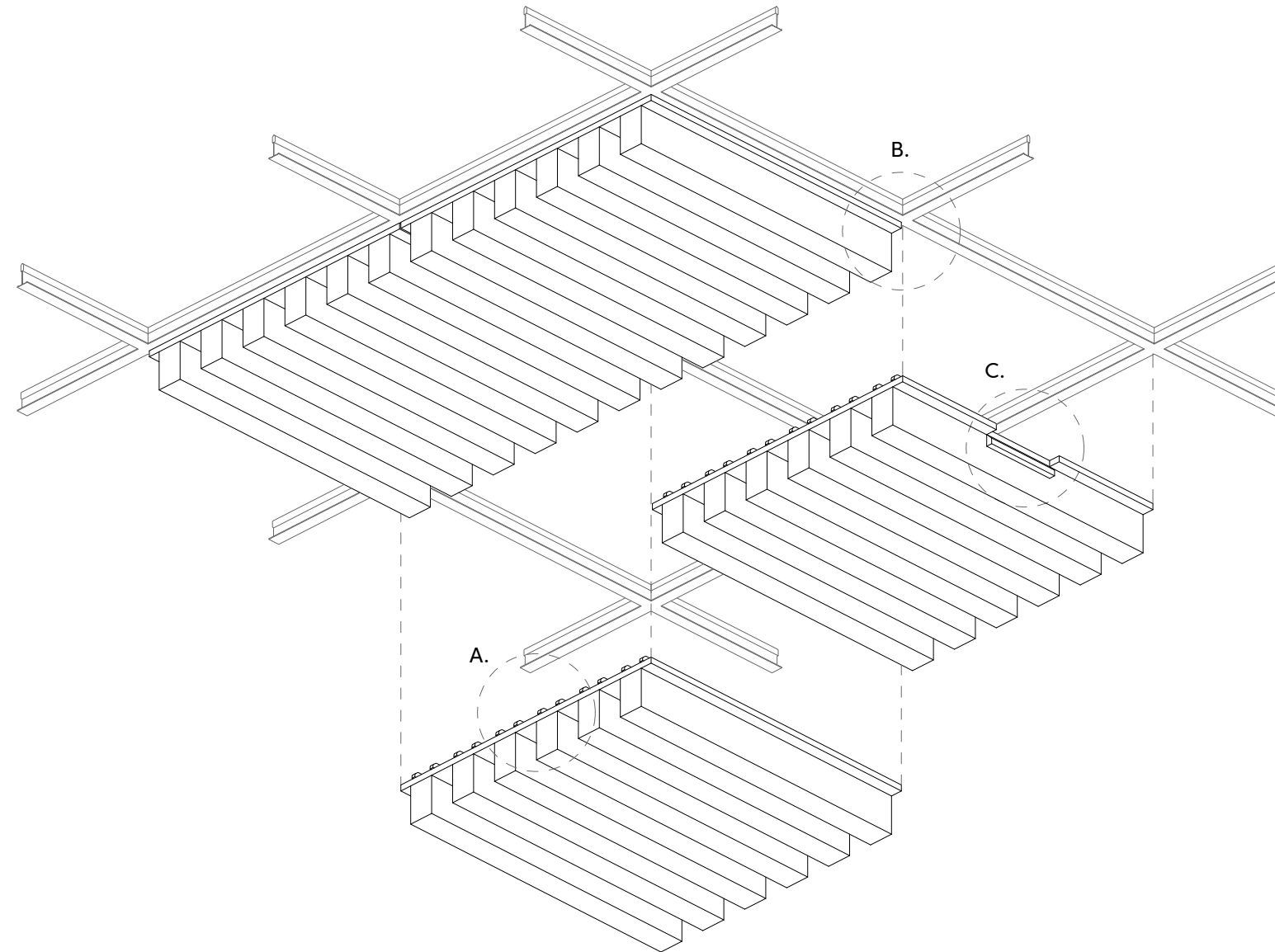
15/16" Flat



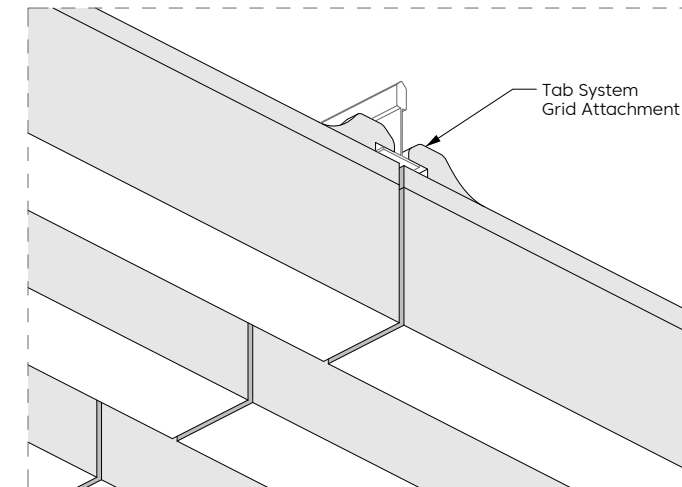
9/16" Flat



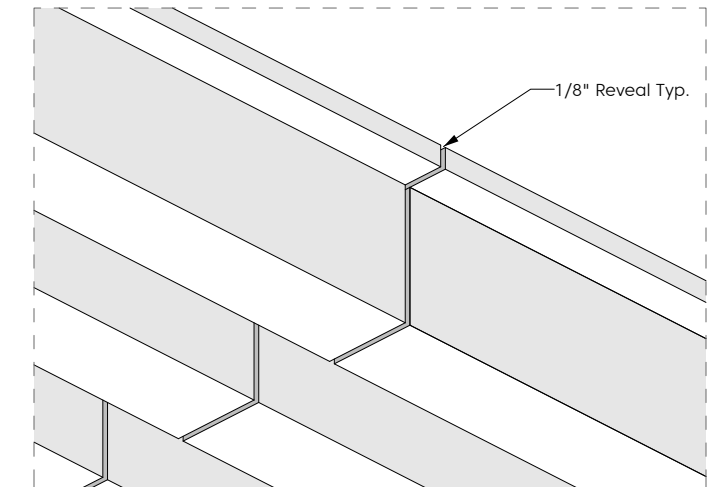
9/16" Bolt Slot



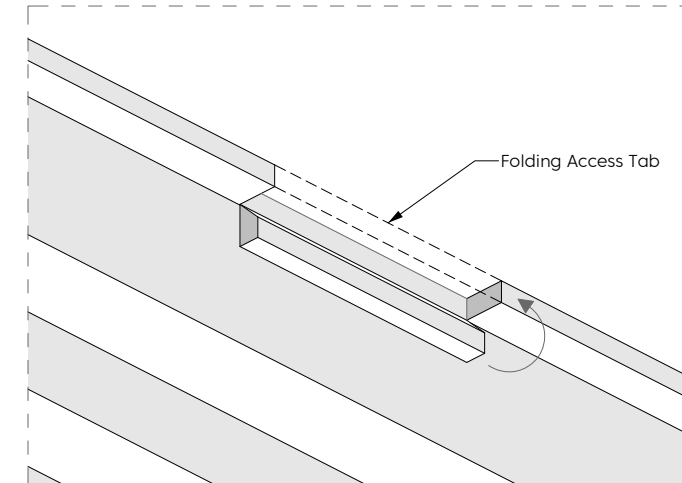
A. Suspension



B. Tolerance and Reveal



C. Ceiling Access



Slat & Panel Colorways

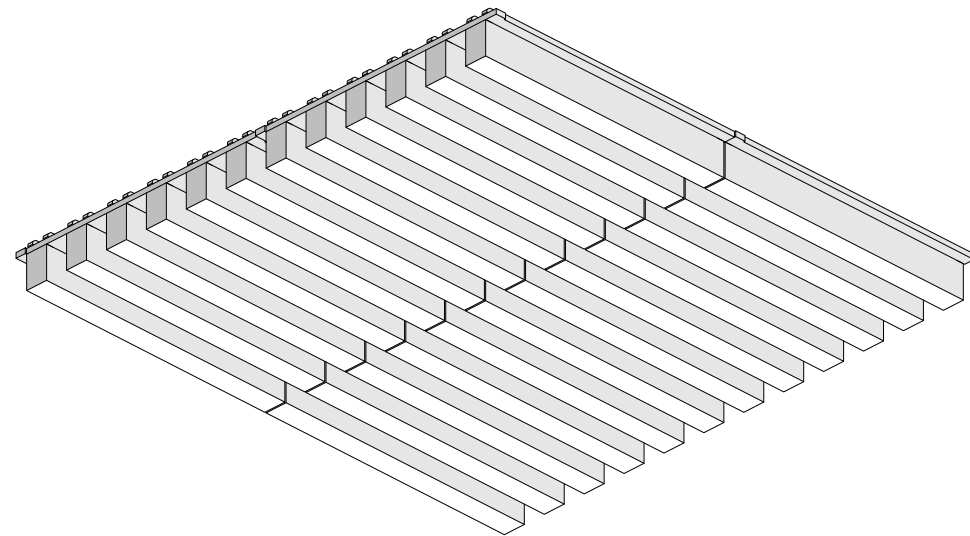


									
Lipstick Red LI14	Carrot CA08	Butter BU07	Popcorn PO26	Pistachio PI25	Wasabi WA29	Thistle TH28	Peacock PE20	Oregano OR18	Kale KA12
									
Denim DE09	Midnight MI16	Azur AZ05	Marine MA15	Periwinkle PE23	Iris IR10	Berry BE06	Lilac LI13	Peach PE19	Peppercorn PE22
									
Piano Black PI24	Charcoal CH01	Slate SL27	Grey GR02	Metal ME03	Platinum PL04	White WH12	Pearl PE21	Ivory IV11	

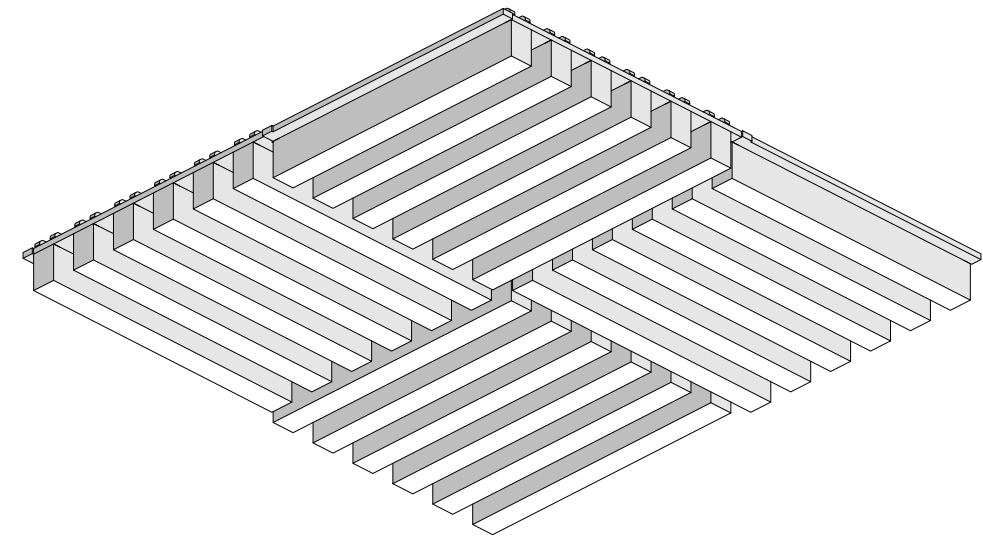
*For dark panels, dark drop ceiling grids (not provided by Acoufelt) are recommended

Recommended Layouts

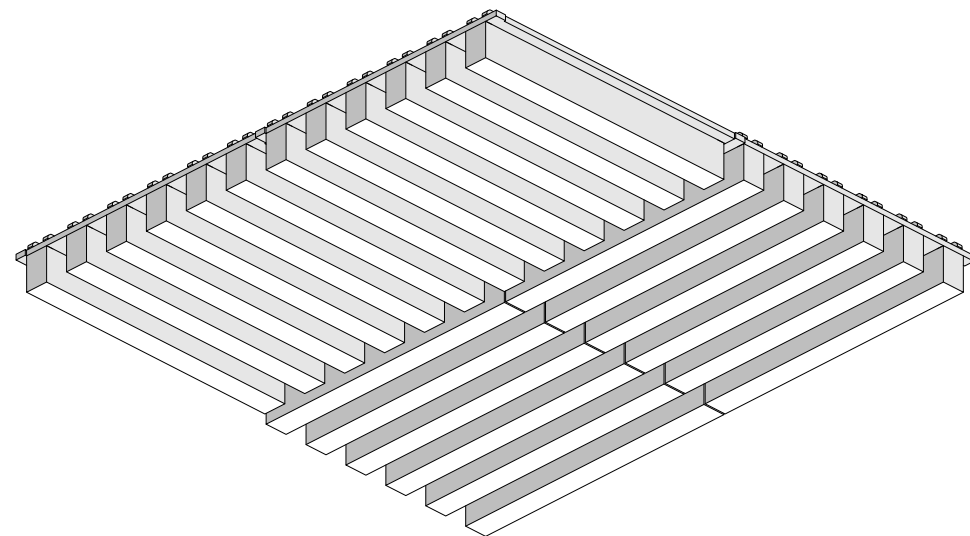
Layout 1



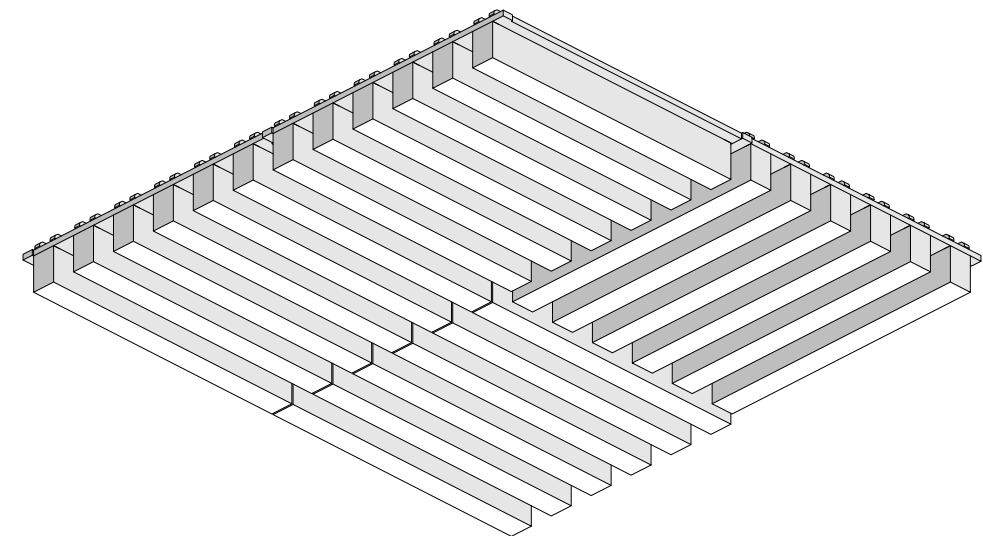
Layout 2



Layout 3



Layout 4



Notes

Suspension

The Soften Up system is designed to connect to standard drop ceiling grid systems via a series of tabs integrated into the design. No additional hardware is required for standard installation. Seismic zones may require additional considerations. See note on seismic.

Clearance/Tolerance

When installed, Soften Up tiles have a consistent 1/8" reveal to account for any on-site tolerance concerns. Support panels have a method for tile alignment integrated into the design .

*A continuous slat design is available - contact Acoufelt for further details

Ceiling Access

Support panels with an intergrated folding access tab are available upon request. These folding tabs allow for the removal of individual tiles to access ceiling systems.

Life Safety

The support panels can be trimmed on site, using a sharp utility knife, to accomodate any exit signage and/or wayfinding markings. Cutouts must occur in 2" gap between slats. All fixtures must be supported independant of tiles.

*Panels cut on site may require additional support

MEP/FP

The support panels can be trimmed on site, using a sharp utility knife, to accomodate any MEP/FP fixtures including but not limited to drop-in lighting and diffusers, recessed lighting, linear diffusers, concealed and exposed fire sprinklers, and A/V equipment. Please consult all local and municipal codess, as well as a licensed engineer, for full compliance requirements. Cutouts must occur in 2" gap between slats. All fixtures must be supported independant of tiles.

*Panels cut on site may require additional support

Seismic

Soften Up tiles can provide seismic compliance through a mechanical direct screw attachment through the Support backer to the grid system or an individual tile off to building structure. Please consult all local and municipal codes, as well as a licensed engineer, for full compliance requirements

Weight

Soften Up tiles featuring a 3" deep slat weigh 2 lbs/sq.ft. Soften up tiles featuring a 1" deep slat weigh 1.25 lbs/sq.ft.